

RMB92

9" Video Monitor — Black & White

ELECTRICAL

System: EIA or CCIR Standard
(Dual system)

Picture Tube: 9" measured diagonally

Horizontal Resolution: >1000 TV Lines (Center)
>800 TV Lines (Corners)

Video Input: Composite: 0.5-2 V p.-p.,
sync negative

Video Input Impedance: High (Loop Through)
75Ω terminated

Bandwidth: 100 Hz to 10 MHz

Video Gain: 30dB

Linearity: Horizontal: 15% Max.
Vertical: 10% Max.

Video Output: Composite: 0.5-2V p.-p.,
sync negative

Video Output Impedance: Over 10KΩ

Power Requirement: 100~240V AC, 50/60 Hz

Power Consumption: 0.5A

ENVIRONMENTAL

Operating Temperature: 14° F to 130°F (-10° C to 55°C)

Storage Temperature: -22° F to 149°F (-30° C to 65°C)

Humidity: 10 to 95%, non-condensing

CERTIFICATIONS

UL/CUL Listed TV/Video Product 8K37, E133441
CE

GENERAL

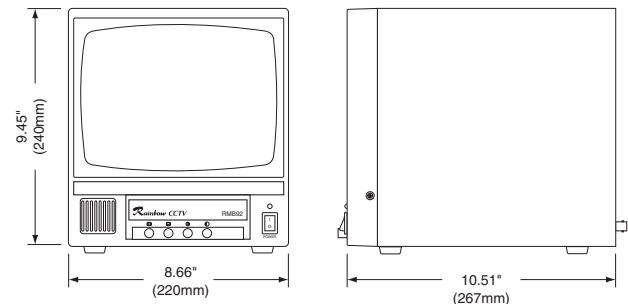
Dimensions: 8.66 × 9.45 × 10.51 in. (w/h/d)
220 × 240 × 267 mm

Weight: Approx. 13.2lb (6kg)

CONTROLS / CONNECTORS

Front: Horizontal Hold (rotary knob)
Vertical Hold (rotary knob)
Brightness (rotary knob)
Contrast (rotary knob)
Contrast (rotary knob)
Volume (rotary knob)

Rear: Video IN-OUT (BNC)
Impedance Switch: HIGH, LOW (75Ω)



RMB122

12" Video Monitor — Black & White

ELECTRICAL

System: EIA or CCIR Standard
(Dual system)

Picture Tube: 12" measured diagonally

Horizontal Resolution: >1000 TV Lines (Center)
>800 TV Lines (Corners)

Video Input: Composite: 0.5-2 V p.-p.,
sync negative

Video Input Impedance: High (Loop Through)
75Ω terminated

Bandwidth: 100 Hz to 10 MHz

Video Gain: 30dB

Linearity: Horizontal: 15% Max.
Vertical: 10% Max.

Video Output: Composite: 0.5-2V p.-p.,
sync negative

Video Output Impedance: Over 10KΩ

Power Requirement: 100~240V AC, 50/60 Hz

Power Consumption: 0.5A

ENVIRONMENTAL

Operating Temperature: 14° F to 130°F (-10° C to 55°C)

Storage Temperature: -22° F to 149°F (-30° C to 65°C)

Humidity: 10 to 95%, non-condensing

CERTIFICATIONS

UL/CUL Listed TV/Video Product 8K37, E133441
CE

GENERAL

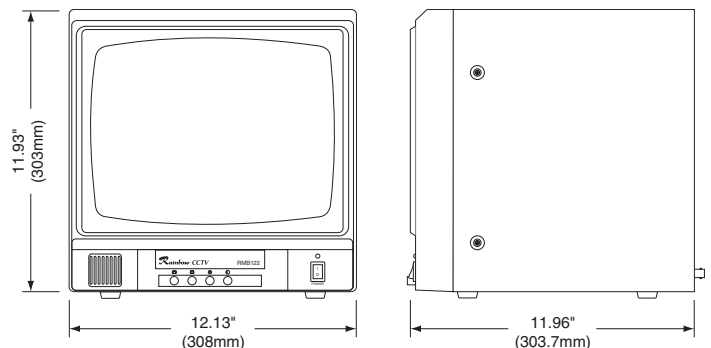
Dimensions: 12.13 × 11.93 × 11.96 in. (w/h/d)
308 × 303 × 303.7 mm

Weight: Approx. 19.8lb (9kg)

CONTROLS / CONNECTORS

Front: Horizontal Hold (rotary knob)
Vertical Hold (rotary knob)
Brightness (rotary knob)
Contrast (rotary knob)
Contrast (rotary knob)
Volume (rotary knob)

Rear: Video IN-OUT (BNC)
Impedance Switch: HIGH, LOW (75Ω)



RMB15

15" Video Monitor — Black & White

ELECTRICAL

System:	EIA or CCIR Standard (Dual system)
Picture Tube:	15" measured diagonally
Horizontal Resolution:	>1000 TV Lines (Center) >800 TV Lines (Corners)
Video Input:	Composite: 0.5-2 V p.-p., sync negative
Video Input Impedance:	High (Loop Through) 75Ω terminated
Bandwidth:	100 Hz to 10 MHz
Video Gain:	30dB
Linearity:	Horizontal: 15% Max. Vertical: 10% Max.
Video Output:	Composite: 0.5-2V p.-p., sync negative
Video Output Impedance:	Over 10KΩ
Power Requirement:	100~240V AC, 50/60 Hz
Power Consumption:	0.4A

ENVIRONMENTAL

Operating Temperature:	14° F to 130°F (-10° C to 55°C)
Storage Temperature:	-22° F to 149°F (-30° C to 65°C)
Humidity:	10 to 95%, non-condensing

CERTIFICATIONS

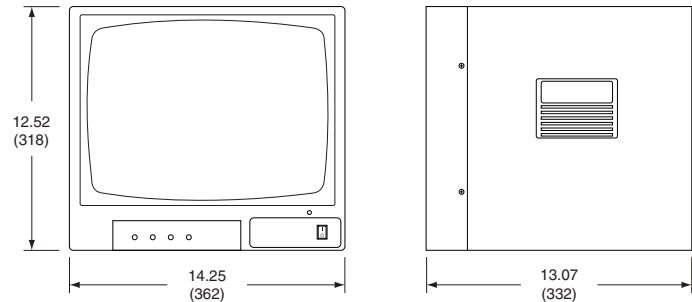
UL Listed TV/Video Product 8K37, E133441
CSA Compliant LR101187
CE

GENERAL

Dimensions:	14.25 × 12.52 × 13.07 in. (w/h/d) 362 × 318 × 332 mm
Weight:	Approx. 28.7lb (13kg)

CONTROLS / CONNECTORS

Front:	Horizontal Hold (rotary knob) Vertical Hold (rotary knob) Brightness (rotary knob) Contrast (rotary knob) Volume (rotary knob)
Rear:	Video IN-OUT (BNC) Impedance Switch: HIGH, LOW (75Ω)



RMC10

10" Video Monitor — Color

ELECTRICAL

System:	NTSC or PAL Standard (Dual system)
Picture Tube:	10" measured diagonally
Horizontal Resolution:	>350 TV Lines (Center) >330 TV Lines (Corners)
Video Input:	Composite: 0.5-2 V p.-p., sync negative
Video Input Impedance:	High (Loop Through) 75Ω terminated
Bandwidth:	1 KHz to 4 MHz
Video Gain:	30dB
Linearity:	Horizontal: 15% Max. Vertical: 10% Max.
Video Output:	Composite: 0.5-2V p.-p., sync negative
Video Output Impedance:	Over 10KΩ
Power Requirement:	100~240V AC, 50/60 Hz
Power Consumption:	55W

ENVIRONMENTAL

Operating Temperature:	14° F to 104°F (-10° C to 40°C)
Storage Temperature:	14° F to 131°F (-10° C to 55°C)
Humidity:	Below 80%, non-condensing

CERTIFICATIONS

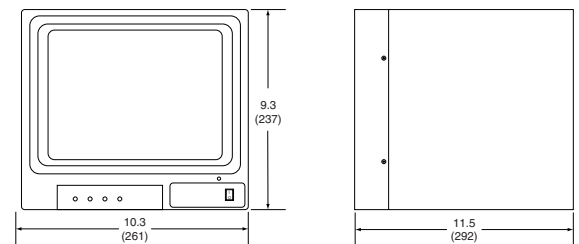
UL Listed TV/Video Product UL1950
CUL Listed TV/Video Product C22.950 M93

GENERAL

Dimensions:	10.3 × 9.3 × 11.5 in. (w/h/d) 261 × 237 × 292 mm
Weight:	Approx. 20lb (9kg)

CONTROLS / CONNECTORS

Front:	Tint (rotary knob) Color (rotary knob) Brightness (rotary knob) Contrast (rotary knob) Volume (rotary knob)
Rear:	Video IN-OUT (BNC) Impedance Switch: HIGH, LOW (75Ω)



RMC14

14" Video Monitor — Color

ELECTRICAL

System:	NTSC or PAL Standard (Dual system)
Picture Tube:	14" measured diagonally
Horizontal Resolution:	>350 TV Lines (Center) >330 TV Lines (Corners)
Video Input:	Composite: 0.5-2 V p.-p., sync negative
Video Input Impedance:	High (Loop Through) 75Ω terminated
Bandwidth:	1 KHz to 4 MHz
Video Gain:	30dB
Linearity:	Horizontal: 15% Max. Vertical: 10% Max.
Video Output:	Composite: 0.5-2V p.-p., sync negative
Video Output Impedance:	Over 10KΩ
Power Requirement:	100~240V AC, 50/60 Hz
Power Consumption:	60W

ENVIRONMENTAL

Operating Temperature:	14° F to 104°F (-10° C to 40°C)
Storage Temperature:	14° F to 131°F (-10° C to 55°C)
Humidity:	Below 80%, non-condensing

CERTIFICATIONS

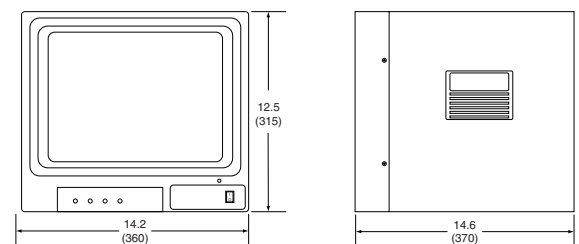
UL Listed TV/Video Product UL1950
CUL Listed TV/Video Product C22.950 M93

GENERAL

Dimensions:	14.2 × 12.5 × 14.6 in. (w/h/d) 360 × 315 × 370 mm
Weight:	Approx. 30lb (14kg)

CONTROLS / CONNECTORS

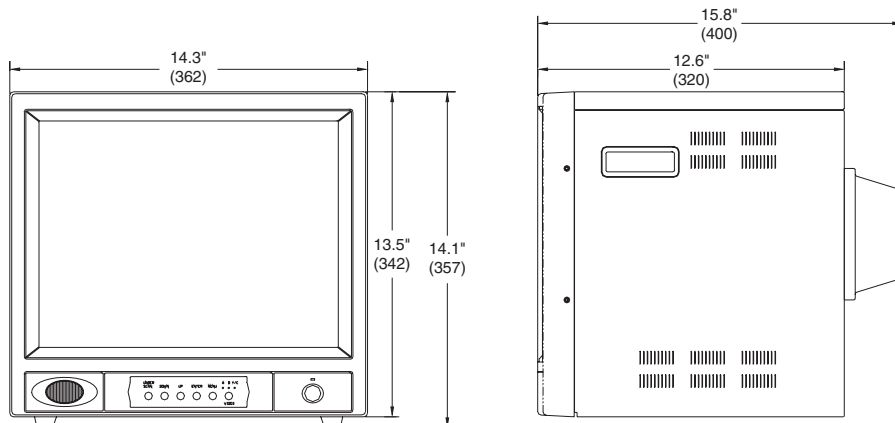
Front:	Tint (rotary knob) Color (rotary knob) Brightness (rotary knob) Contrast (rotary knob) Volume (rotary knob)
Rear:	Video IN-OUT (BNC), IN (S-Video) Video Selection: BNC or S-Video Impedance Switch: HIGH, LOW (75Ω)





- 15-inch flat and square screen CRT
- 520 TV lines resolution
- Multi-language On Screen Display (OSD)
- Looping Video inputs/outputs with auto-termination (2 BNC, 1 Y/C)
- Audio inputs/outputs (2)
- Front panel video input selection (A/B/Y/C manual or auto-switching)
- NTSC/PAL compatible
- 96~256VAC 50/60Hz power input
- Underscan feature

Model	RMC15
System	NTSC or PAL (auto-sensing)
Horizontal Resolution	520 lines Horizontal / 480 lines vertical
Video Input	0.5~2Vp-p composite video / Y:1.0Vp-p, C:0.7Vp-p
Input Impedance	75 ohms or higher (auto terminating)
Bandwidth	8MHz
Video Gain	30db
Linearity	Horizontal: 10% Maximum / Vertical: 8%
Power Input	96~256VAC 50/60Hz
Power Consumption	63W
Operating Temperature	14 to 122° F (-10 to 50° C)
Storage Temperature	-4 to 158° F (-20 to 70° C)
Humidity	30 to 90% RH
Certifications	UL, CE
Dimensions	14.3 x 14.1 x 15.8 inches w/h/d (362 x 357 x 400mm)
Weight	30.8 lbs. (14kg)
Construction	Steel cabinet with plastic front panel
Front Controls	Power ON/OFF switch / Under Scan / Channel Selection (A/B/Y/C) Color / Contrast / Brightness / Tint / Volume / Language
Rear Panel Connectors	Video in/out x2 (BNC) - Channels A/B Y/C in/out (4-pin DIN) - Channel Y Audio in/out x2 (RCA) - For channels A/B
Audio Input Signal	300~500mVp-p



Specifications subject to change without notice