



## PRODUCT SPECIFICATION

# EH3512/EH3515 Series Enclosure ENVIRONMENTAL, SMALL

CE  
IP66

### Product Features

- Low Cost
- Small, Contemporary Design
- Die Cast and Extruded Aluminum Construction
- Forward Opening Hinged Lid
- Rear Link-lock Latch
- Cable Entry Glands and Mounting Holes on Bottom of Enclosure
- Designed for Indoor/Outdoor Fixed Mount Applications; Not for use with Pan/Tilt
- Easy Access for Servicing and Installation
- Models Available with Factory Installed Low Power Heater, Blower and Defroster, or with Heater and Defroster

The **EH3512/EH3515 Series** are indoor/outdoor, low-cost camera enclosures constructed from die cast and extruded aluminum. The **EH3512** has a lower body length of 12.75 inches (32.38 cm) and the **EH3515** has a lower body length of 15.75 inches (40.00 cm).

These enclosures are for use with 2/3-inch, 1/2-inch, and 1/3-inch format cameras and fixed focal length lenses or motorized zoom lenses (with or without auto-iris operation).

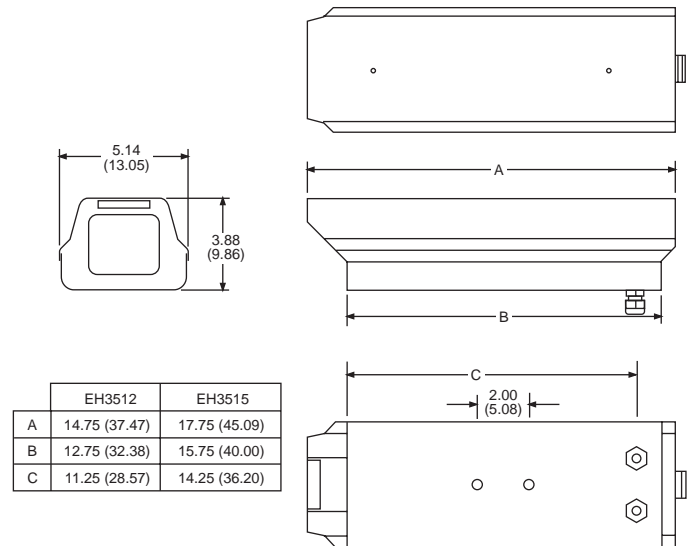
The front hinged lid provides easy access to the removable camera sled. Two adjustable (PG13.5) glands on the bottom of the enclosure allow for easy installation of the power and video cables. The rear link-lock latch can be used with a padlock of suitable size to secure the enclosure.

Field installed options include heater-defroster, blower, and sun shroud. The enclosures can also be factory ordered with a low power 24V, 120V, or 230V heater-defroster and blower or heater-defroster only.

The **EH3512** and **EH3515** are ideal for small-to-medium cameras and fixed mount applications.



EH3515 ENCLOSURE



NOTE: VALUES IN PARENTHESES ARE CENTIMETERS; ALL OTHERS ARE INCHES

3

CAMERA ENCLOSURES

ENVIRONMENTAL, SMALL



## TECHNICAL SPECIFICATIONS

### MODELS

EH3512	Enclosure, environmental, 12.75-inch (32.38 cm) lower body length
EH3512-1	Same as EH3512 except has 120 VAC heater, defroster and blower (17 watts)
EH3512-2	Same as EH3512-1 except 24 VAC (15 watts)
EH3512-3	Same as EH3512-1 except 230 VAC (22 watts)
EH3512-1HD	Same as EH3512 except has 120 VAC heater and defroster (13 watts)
EH3512-2HD	Same as EH3512-1HD except 24 VAC
EH3512-3HD	Same as EH3512-1HD except 230 VAC
EH3515	Enclosure, environmental, 15.75-inch (40.00 cm) lower body length
EH3515-1	Same as EH3515 except has 120 VAC heater, defroster and blower (27 watts)
EH3515-2	Same as EH3515-1 except 24 VAC (25 watts)
EH3515-3	Same as EH3515-1 except 230 VAC (32 watts)
EH3515-1HD	Same as EH3515 except has 120 VAC heater and defroster (23 watts)
EH3515-2HD	Same as EH3515-1HD except 24 VAC
EH3515-3HD	Same as EH3515-1HD except 230 VAC



### MECHANICAL

Camera Mounting	Multiple holes on adjustable camera sled; camera sled can be inverted for additional camera elevation
Max. Camera Size	Accepts camera and lens combinations (including BNC connector) up to 2.87 (W) x 3.00 (H) inches (7.28 x 7.62 cm) and the following length:
	EH3512 10.25 inches (26.03 cm)
	EH3512-1/-2/-3 9.00 inches (22.86 cm)
	EH3512-1HD/-2HD/-3HD 10.00 inches (25.40 cm)
	EH3515 13.25 inches (33.66 cm)
	EH3515-1/-2/-3 12.00 inches (30.48 cm)
	EH3515-1HD/-2HD/-3HD 13.00 inches (33.02 cm)
Viewing Window	.187-inch (4.76 mm) thick, optically clear impact-resistant MR5 coated LEXAN® (U.L. 94HB rated)
Viewing Area	
EH3512/EH3515	2.25 (H) x 2.63 (W) inches (5.71 x 6.68 cm)
All other models	2-inch (5.08 cm) diameter circle
Cable Entry	Two PG13.5 compression glands on bottom; 0.47-inch (1.19 cm) maximum cable diameter
Cable Entry Holes	.875-inch (2.22 cm) diameter; will accept 0.5-inch (1.27 cm) conduit fitting when compression gland is removed
Latch	Link-lock No. 3, stainless steel; can be secured with padlock (not supplied)

### GENERAL

Construction	Extruded and die-cast aluminum	
Finish	Gray polyester powder coat	
Environment	Indoor/outdoor	
Dimensions	See dimension drawing on front page	
Weight	Unit	Shipping
EH3512	3.49 lb (1.58 kg)	5 lb (2.26 kg)
EH3512-1/-2/-3 and		
EH3512-1HD/-2HD/-3HD	3.85 lb (1.75 kg)	5 lb (2.26 kg)

Weight	Unit	Shipping
EH3515	4.10 lb (1.86 kg)	5 lb (2.26 kg)
EH3515-1/-2/-3 and		
EH3515-1HD/-2HD/-3HD	4.47 lb (2.03 kg)	6 lb (2.72 kg)

### CERTIFICATIONS/RATINGS

- ◆ CE compliant (models EH3512, EH3512-2, EH3512-3, EH3515, EH3515-2, and EH3515-3)
- ◆ NEMA 4
- ◆ IP66

### OPTIONAL ACCESSORIES

BK3512-1	Blower kit, continuous duty, 120 VAC, 4 watts, 10 cfm @ 60 Hz
BK3512-2	Blower kit, continuous duty, 24 VDC (AC rectified), 2 watts, 19 cfm @ 50/60 Hz
BK3512-3	Blower kit, continuous duty, 230 VAC, 9 watts, 8 cfm @ 50 Hz
HD35-1*	Heater and defroster kit, 120 VAC, 13 watts. Use with EH3512 enclosure only.
HD35-2*	Same as HD35-1 except 24 VAC
HD35-3*	Same as HD35-1 except 230 VAC
HD3515-1*	Heater and defroster kit, 120 VAC, 23 watts. Use with EH3515 enclosure only.
HD3515-2*	Same as HD3515-1 except 24 VAC
HD3515-3*	Same as HD3515-1 except 230 VAC
HK3512-1	Discontinued. Use HD35-1 or HD3515-1.
HK3512-2	Discontinued. Use HD35-2 or HD3515-2.
HK3512-3	Discontinued. Use HD35-3 or HD3515-3.
SS3512	Sun shroud for EH3512 Series enclosure
SS3515	Sun shroud for EH3515 Series enclosure
WD35-1	Discontinued. Use HD35-1 or HD3515-1.
WD35-2	Discontinued. Use HD35-2 or HD3515-2.
WD35-3	Discontinued. Use HD35-3 or HD3515-3.

\*Thermostatically controlled heater activates ON at 50°F (10°C); OFF at 80°F (27°C). Defroster operates continuously.

### RECOMMENDED MOUNTS

(refer to Enclosure and Mount Cross-Reference for a complete list)

<b>Pedestal</b>	
EM1009U,	Medium duty pedestal mount. Max. load 40 lb (18.12 kg). (See C202 spec)
EM1015U	
MM22	Medium duty pedestal mount. Max. load 40 lb (18.12 kg). (See C227 spec)
<b>Wall</b>	
EM1450	Light duty wall mount. Max. load 20 lb (9.06 kg). (See C261 spec)
EM2400*	Light duty wall mount. Max. load 20 lb (9.06 kg). (See C260 spec)
EM1900U	Medium duty wall mount. Max. load 40 lb (18.12 kg). (See C202 spec)
EM22	Medium duty wall mount. Max. load 40 lb (18.12 kg). (See C227 spec)
<b>Pipe/Pole</b>	
EM1109,	Medium duty mounts for pipe/pole applications. Max. load 40 lb (18.12 kg). (See C207 spec)
EM2000,	
EM2200	

\*For indoor use only.

LEXAN® is a registered trademark of the General Electric Company.

Specifications subject to change without notice. ©Copyright 1999, PELCO. All rights reserved.